

TAMMY E MORRIS
LAWSON
462-1225



WESTERBEKE

ENGINES

PARTS LIST

25 hp Marine Diesel Engine FOUR-91

Publication Number 13945
Issue Date November 1, 1971

EDITION 2

Jan 87

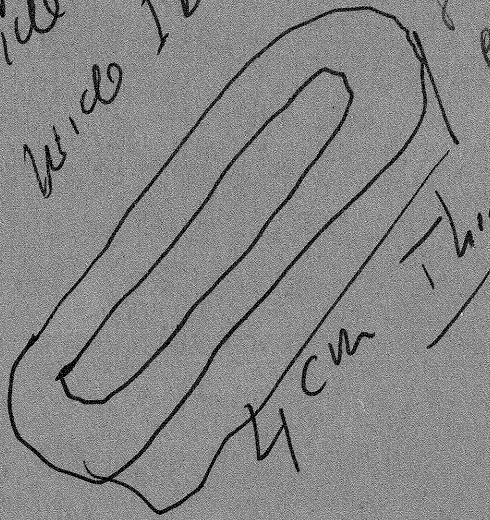
Westerbeke Corp

Avon Industrial Park

Avon, MA 02322

Phone: (617) 588-7700

Airfilter
7 1/2" long OD
5 3/4" long ID
2 1/2" wide OD
3/4" wide ID

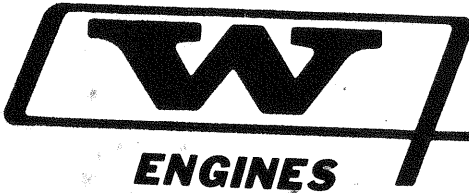


Honda
part no.
17210-ZE6-505

NOTES ON USING THIS PARTS LIST

1. Unit of issue for all linear commodities is inches (not feet or yards).
2. Start looking in the contents -- if you cannot find any item, check miscellaneous page.
3. Please -- Report errors and omissions to us via speed letter.
(Attention: John H. Westerbeke, Jr.)

Oil Filter
FRAM
PH 16 A



J. H. WESTERBEKE CORP.

35 TENEAN STREET, BOSTON, MASSACHUSETTS, 02122

MANUFACTURERS & DISTRIBUTORS OF INDUSTRIAL & MARINE ENGINES AND GENERATORS

SERVICE BULLETIN #38

MODEL: Four-91

SUBJECT: Lubricating Oil Sump Capacity

4.68
~~5.63~~ LITERS

The proper lubricating oil sump capacity for the model Four-91 engine is 4.95 quarts, as shown in the engine manual on Page G.

Due to the varying angles of engine installation, the proper amount of oil in the engine may register as much as one inch above the full mark on the dipstick.

Therefore, it is important to go by the engine manual, rather than the dipstick to determine the proper quantity of oil. After once properly filling the engine with oil in a specific hull, it would be well to mark the dipstick showing the actual full level.

It is important to keep the engine oil sump properly filled to insure sufficient engine lubrication under conditions of pitch and heel.

Spec. SA 00

7/29/71

S/N AEH1061076B204

16339

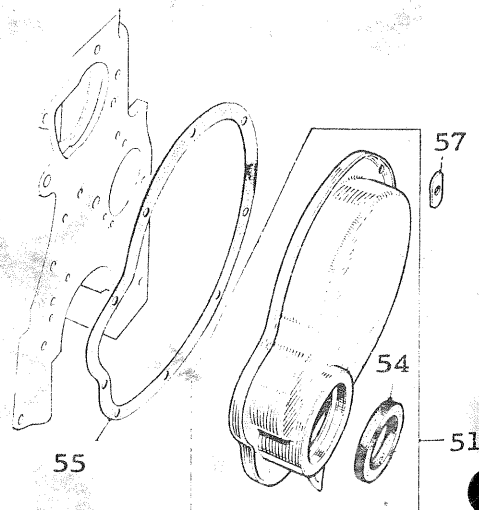
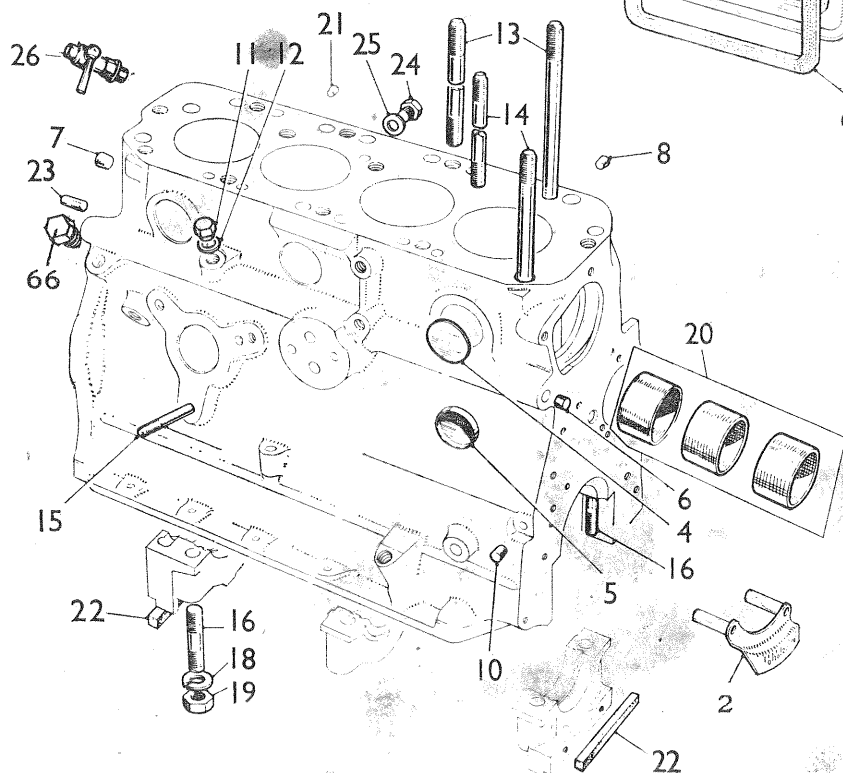
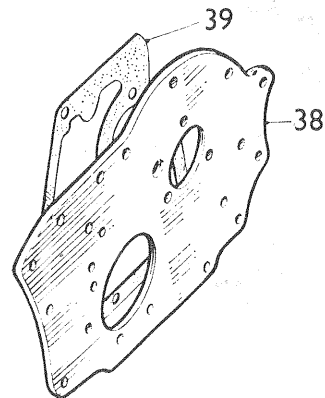
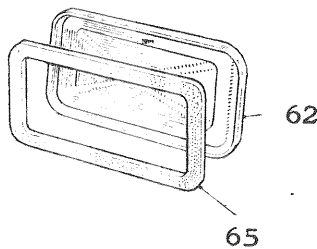
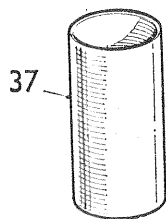
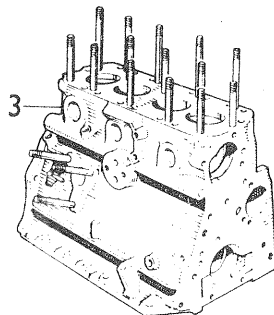
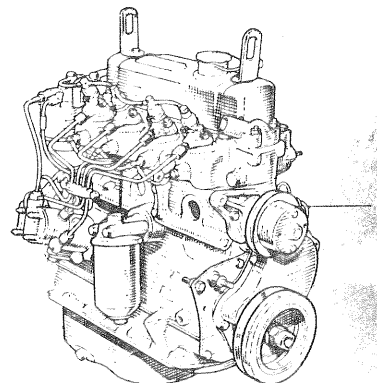
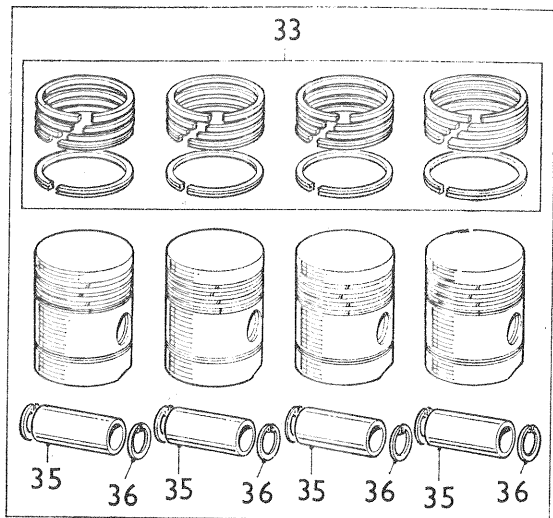
4.68

MODEL FOUR - 91

CONTENTS

Cylinder Block - Piston	211
Cylinder Head - Rocker Shaft	213
Crankshaft - Rod - Camshaft	217
Sump - Lube Oil Pump	219
Fuel System	221
Cooling System - Internal Heat Exchanger	223
Cooling System - External Heat Exchanger	227
Mounts	231
Back End Arrangements	233
Electrical System, Marine Engine	235
Type SAO Manual Transmission	237
Freewheeling Sailing Transmission	241
Miscellaneous	245

FOUR 91: CYLINDER BLOCK - PISTON



FOUR 91: CYLINDER BLOCK - PISTON

REF	PN	NAME	REMARKS
1	11856	ENGINE	COMPLETE
2	14592	INDICATOR	TIMING
3	14470	BLOCK	ASSEMBLY
4	14657	PLUG	
5	14553	PLUG	
6	14593	PLUG	
7	14595	PLUG	
8	14561	PLUG	
10	14433	PLUG	
11	14649	SCREW	
12	14453	WASHER	
13	14488	STUD	LONG
14	14482	STUD	SHORT
15-1	14639	STUD	BOTTOM
15-2	14640	STUD	TOP
16	14560	STUD	
18	14453	WASHER	
19	14454	NUT	
20	14606	LINER	CAMSHAFT BEARING
21	14579	PLUG	
22	13544	GASKET	MAIN BEARING END CAP
23	13919	DOWEL	
24	14649	SCREW	
25	14541	WASHER	
26	12327	PETCOCK	BLOCK WATER DRAIN
29-1	14627	PISTON(4)	COMPLETE ASSEMBLY - STANDARD
29-2	14628	PISTON(4)	COMPLETE ASSEMBLY - .010" OVERSIZE
33-1	14632	RING SET(4)	STANDARD
33-2	14633	RING SET(4)	.010" OVERSIZE
35	14602	PISTON PIN	
36	14461	CLIP	
37	14535	LINER	
38	14486	PLATE	
39	14570	GASKET	
51	14611	COVER	ASSEMBLY - FRONT
54	14643	SEAL	
55	14568	GASKET	TIMING COVER
57	14652	TABWASHER	
62	13526	COVER	CYLINDER SIDE
65	14562	GASKET	
66	13830	PLUG	

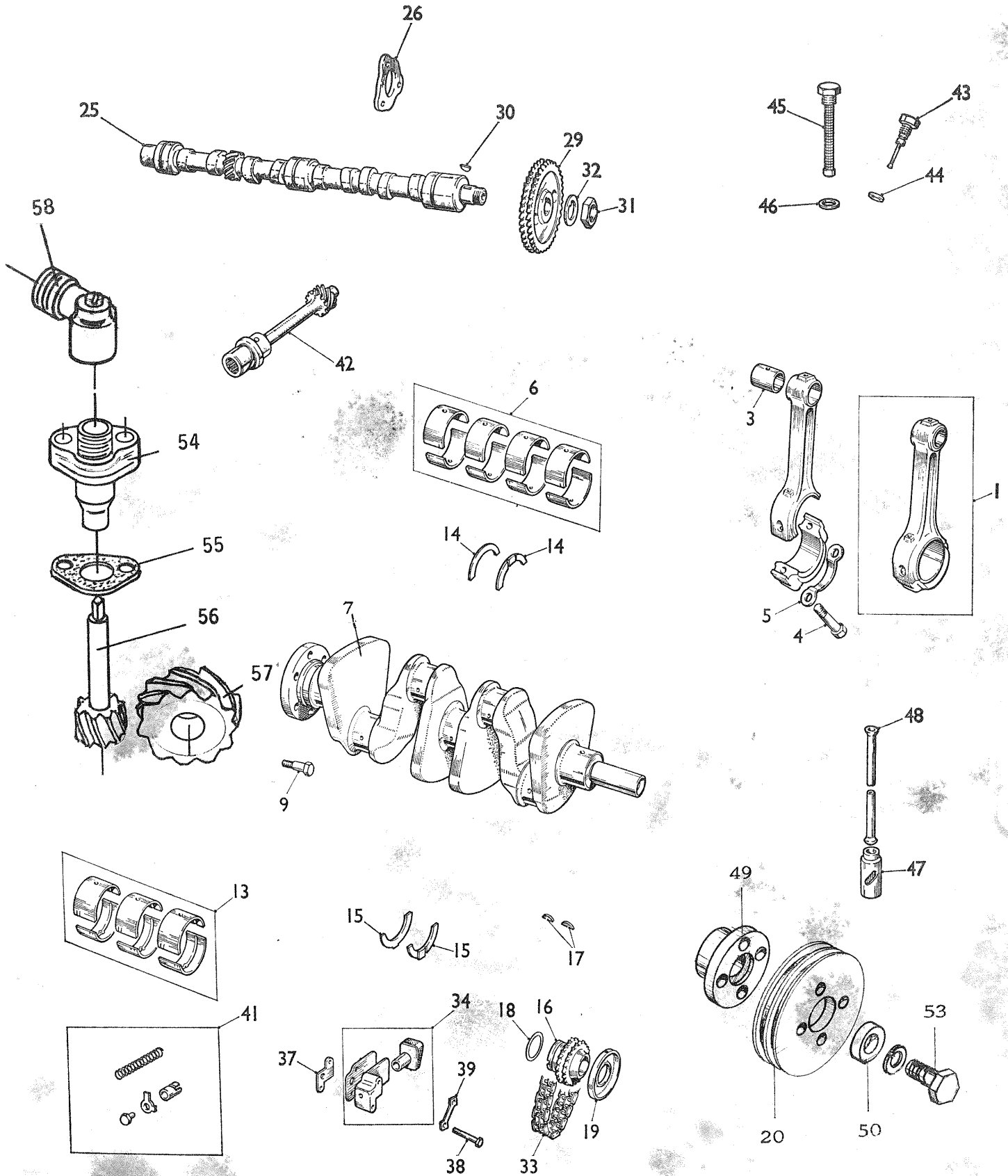
FOUR 91: CYLINDER HEAD - RØCKER SHAFT

REF	PN	NAME	REMARKS
2	14485	HEAD	ASSEMBLY INCLUDING GUIDES
3	14447	GUIDE	VALVE - INLET & EXHAUST
5	14595	PLUG	
6	14552	PLUG	
7	14597	PLUG	
8	14500	PLUG	
9	14553	PLUG	
10	14480	INSERT	COMBUSTION CHAMBER
11-1	14538	STUD	THERMØSTAT HØUSING - SHØRT (1)
11-2	11927	STUD	THERMØSTAT HØUSING - LØNG (2)
12	14556	STUD	RØCKER BRACKET - SHØRT
13	14559	STUD	RØCKER BRACKET - LØNG
15-1	11819	STUD	MANIFØLD - INTERNAL HEAT EXCHANGER
15-2	12496	STUD	MANIFØLD - EXTERNAL HEAT EXCHANGER
16	14607	STUD	NØZZLE HØLDER
17	14578	PLUG	
18	14457	VALVE	INLET
19	14458	VALVE	EXHAUST
20	14460	SPRING	VALVE - ØUTER
21	14459	SPRING	VALVE - INNER
22	14577	CØLLAR	
23	14576	SHRØUD	
24	14444	RING	
25	14546	CØTTER	
26	14514	CLIP	
27	14575	CUP	
28	14536	INSERT	VALVE SEAT - INLET
29	14537	INSERT	VALVE SEAT - EXHAUST
32	14438	SHAFT	
33	14555	PLUG	
34	14646	SCREW	
35	14547	BRACKET	TAPPED (1)
36	14456	BRACKET	NØT TAPPED (3)
37	14551	SPRING	
38	14603	RØCKER	ASSEMBLY
39	14612	BUSHING	
40	14625	RIVET	
41	14452	SCREW	
42	14476	NUT	
43	14481	SCREW	
44	14483	TABWASHER	
45	14605	SPRING	
46	14656	WASHER	
50	14653	FLATWASHER	
51	14443	FLATWASHER	
52	14653	NUT	CYLINDER HEAD - FRØNT & REAR
53	14445	NUT	CYLINDER HEAD
54	14601	GASKET	CYLINDER HEAD
57	14455	PLUG	
58	14642	WASHER	

FOUR 91: CYLINDER HEAD - RØCKER SHAFT

REF	PN	NAME	REMARKS
60	14511	SPACER	
63	12307	CØVER	CYLINDER HEAD
64	14515	CAP	ASSEMBLY
65	13356	WASHER	
68	14436	GASKET	RØCKER CØVER
69	13356	WASHER	
70	14807	SCREW	
71	14809	CUP	
72	14808	GRØMMET	

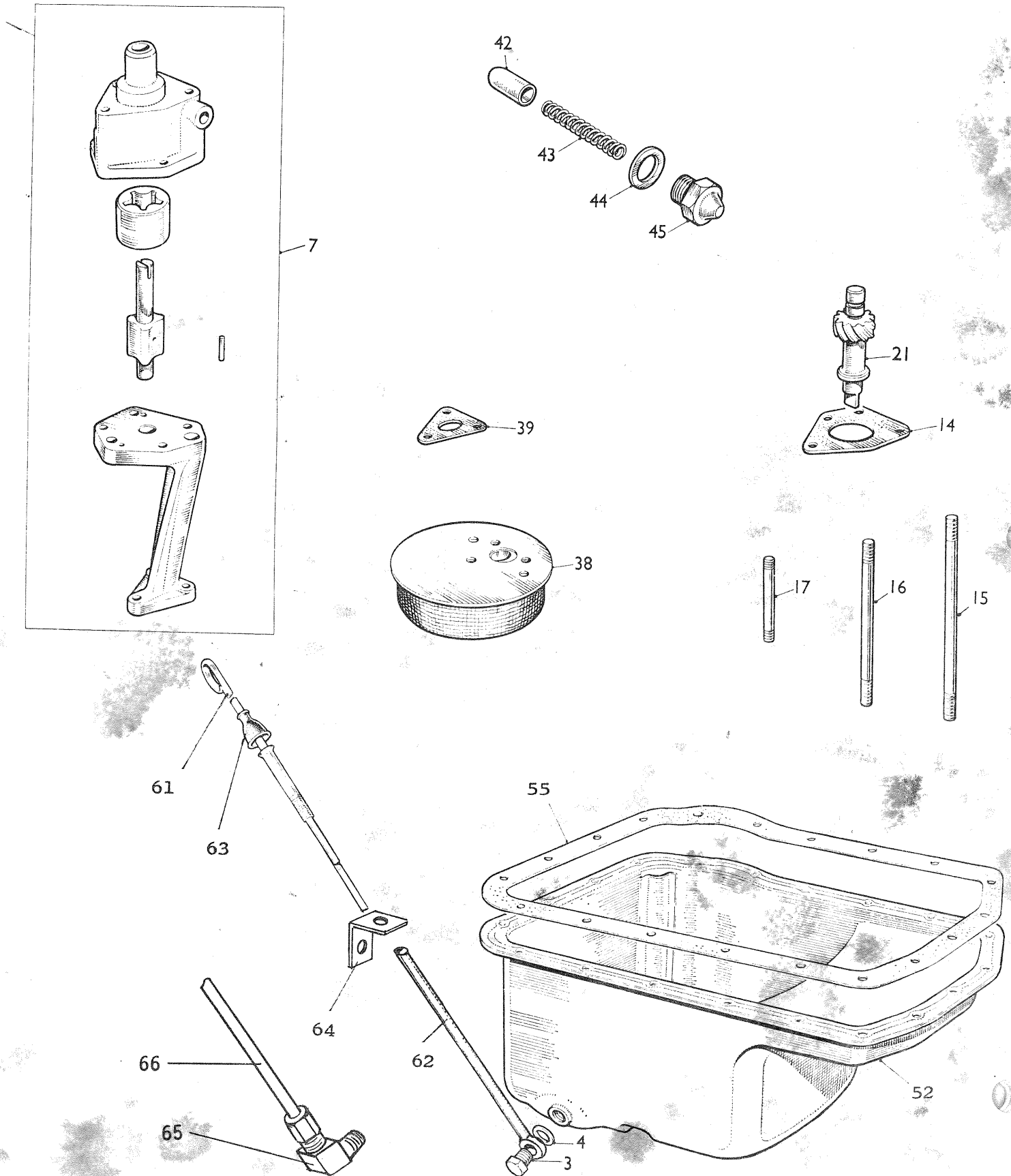
FOUR 91: CRANKSHAFT - ROD - CAMSHAFT



FOUR 91: CRANKSHAFT - RØD - CAMSHAFT

REF	PN	NAME	REMARKS
1-1	14504	RØD	ASSEMBLY - # 1 & 3 CYLINDERS
1-2	14503	RØD	ASSEMBLY - # 2 & 4 CYLINDERS
3	14448	BUSHING	
4	14582	BØLT	
5	14505	TABWASHER	
6-1	14614	BEARING	RØD-SET - STANDARD
6-2	14615	BEARING	RØD-SET - .010" UNDERSIZE
7	14502	CRANKSHAFT	
9	14499	BØLT	
13-1	14621	BEARING	MAIN - SET - STANDARD
13-2	14622	BEARING	MAIN - SET - .010" UNDERSIZE
14-1	14617	WASHER	THRUST - UPPER - STANDARD
14-2	14618	WASHER	THRUST - UPPER - .003" ØVERSIZE
15-1	14619	WASHER	THRUST - LØWER - STANDARD
15-2	14620	WASHER	THRUST - LØWER - .003" ØVERSIZE
16	14475	GEAR	CRANKSHAFT
17	14446	KEY	
18	14654	WASHER	CRANKSHAFT GEAR PACKING
19	14598	SLINGER	
20-1	13847	PULLEY	USED WITH 11327 HUB - ØBSØLETE
20-2	13853	PULLEY	ATTACHES DIRECTLY TØ CRANKSHAFT
25-1	14466	CAMSHAFT	PLAIN REAR END
25-2	14665	CAMSHAFT	THREADED REAR END FØR TACH DRIVE GEAR
26	14589	PLATE	CAMSHAFT LØCATING
29	14449	GEAR	CAMSHAFT
30	14531	KEY	
31	14540	NUT	
32	14544	WASHER	
33	14542	CHAIN	TIMING
34	14655	TENSIØNER	ASSEMBLY
37	14506	GASKET	
39	14507	TABWASHER	
41	14509	KIT	CHAIN TENSIØNER REPAIR
42	14491	SHAFT	INJECTION PUMP DRIVING
43	14467	LUBRICATØR	PUMP DRIVING GEARS
44	14533	WASHER	
45	14468	FILTER	
46	14541	WASHER	
47-1	14471	TAPPET	STANDARD
47-2	14472	TAPPET	.010" ØVERSIZE
48	14489	PUSHRØD	
49	11327	HUB	
50	11857	SLEEVE	
53	11818	SCREW	
54	14666	HØUSING	TACH DRIVE
55	14667	GASKET	TACH DRIVE HØUSING
56	14668	DRIVE	TACH
57	14669	GEAR	CAMSHAFT - TACH DRIVE
58	16451	TACHDRIVE	90 DEGREE

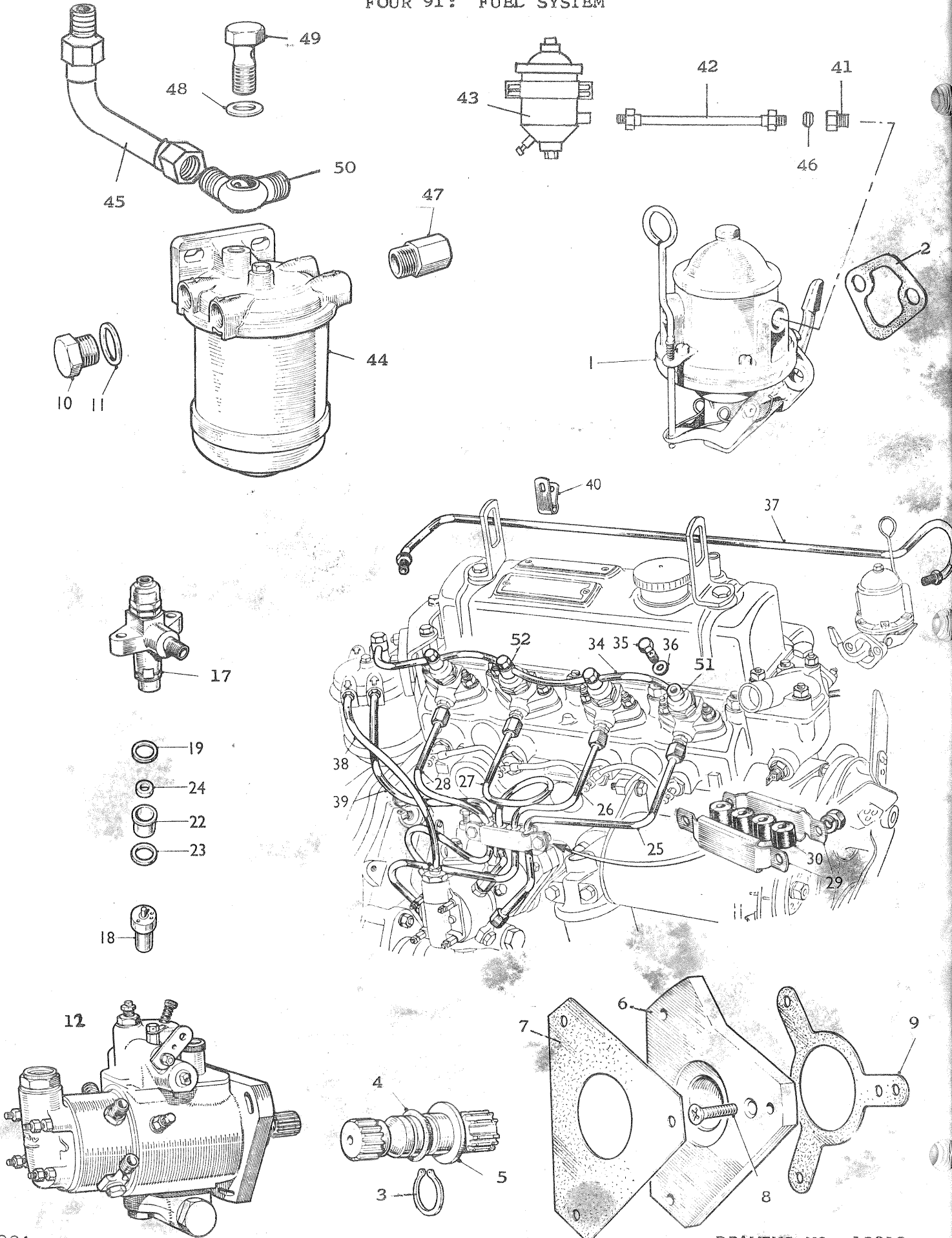
FOUR 91: SUMP - LUBE OIL PUMP



FOUR 91: SUMP - LUBE OIL PUMP

REF	PN	NAME	REMARKS
3	11999	BOLT	REPLACED BY 13418 ELBOW
4	11998	WASHER	REPLACED BY 13418 ELBOW
7	14474	PUMP	LUBE OIL
14	14508	GASKET	LUBE OIL PUMP
15	14557	STUD	OIL PUMP TO CRANKCASE - LONG(1)
16	14558	STUD	OIL PUMP TO CRANKCASE - MEDIUM(2)
17	14487	STUD	OIL PUMP TO CRANKCASE - SHORT (3)
21	14484	SHAFT	
38	14588	STRAINER	
39	14526	GASKET	STRAINER TO PUMP
42	14550	VALVE	
43	14549	SPRING	
44	14528	WASHER	
45	14608	NUT	
52	11886	SUMP	
55	11862	GASKET	SUMP
61	16425	DIPSTICK	NOW USED WITH 12274 TUBE ONLY
62	12281	TUBE	REPLACED BY 13418 ELBOW & 12274 TUBE
63	11555	SEAL	DIPSTICK
64	11980	BRACKET	DIPSTICK SUPPORT
65	13418	ELBOW	SUMP TO DIPSTICK TUBE
66	12274	TUBE	DIPSTICK - USED WITH 13418 ELBOW

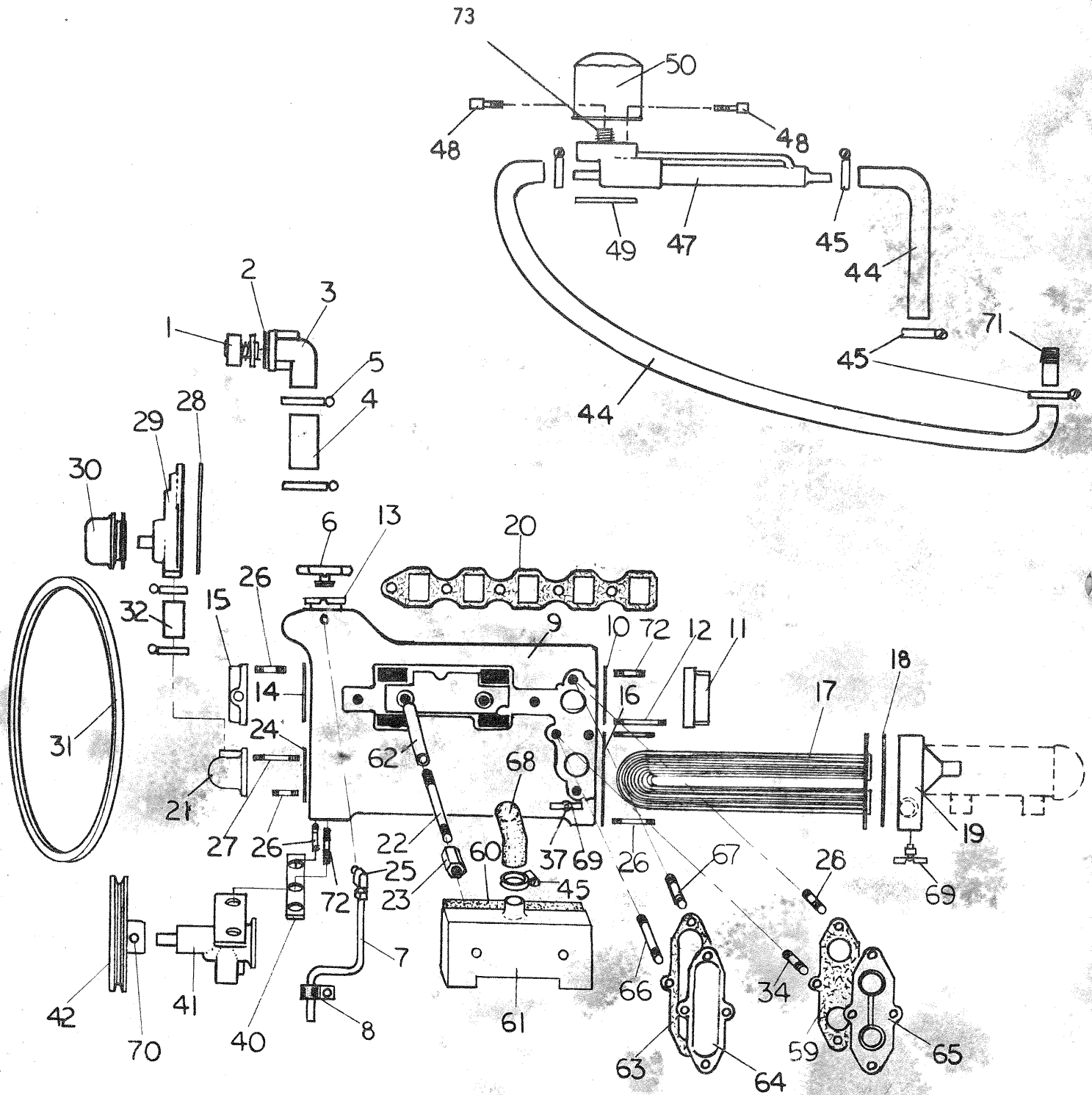
FOUR 91: FUEL SYSTEM



FOUR 91: FUEL SYSTEM

REF	PN	NAME	REMARKS
1-1	14566	PUMP	FUEL LIFT
1-2	14661	KIT	LIFT PUMP REPAIR
2	14572	GASKET	LIFT PUMP
3	14645	CLIP	
4	14545	SEAL	
5	14658	SHAFT	
6	14465	PLATE	
7	14573	GASKET	PUMP TO PLATE
8	14530	SCREW	
9	14569	GASKET	PLATE TO BLOCK
10	14664	SCREW	
11	14541	WASHER	
12	14565	PUMP	INJECTION
17	14580	INJECTOR	
18	14548	NOZZLE	
19	14490	GASKET	NOZZLE HOLDER
22	14462	HEAT SHIELD	
23	14463	WASHER	HEAT SHIELD
24	14464	WASHER	INJECTOR SEAL
25	14585	LINE	#1
26	14590	LINE	#2
27	14591	LINE	#3
28	14586	LINE	#4
29	14492	CLAMP	
30	14493	BUSHING	
34	14641	LINE	RETURN
35	11935	BOLT	
36	11943	WASHER	
37	14610	LINE	LIFT PUMP TO FILTER
38	14534	LINE	FILTER TO INJECTION PUMP
39	14609	LINE	INJECTION PUMP TO FILTER
40	14512	CLIP	
41	11596	CONNECTOR	FUEL INLET
42	11920	HOSE	FUEL INLET
43-1	11598	FILTER	PRIMARY FUEL - METALIC BOWL
43-2	13761	ELEMENT	PRIMARY FUEL FILTER
43-3	11784	FILTER	PRIMARY FUEL - GLASS BOWL
44-1	14777	FILTER	ENGINE FUEL
44-2	14776	ELEMENT	ENGINE FUEL FILTER
45	11919	HOSE	FUEL RETURN
46	11597	FERRULE	FUEL INLET HOSE
47	14662	CHECKVALVE	
48	11944	WASHER	BANJO
49	14663	BOLT	BANJO
50	11936	BANJO	
51	12374	BANJO	INJECTOR - SINGLE
52	14688	BANJO	INJECTOR - DOUBLE

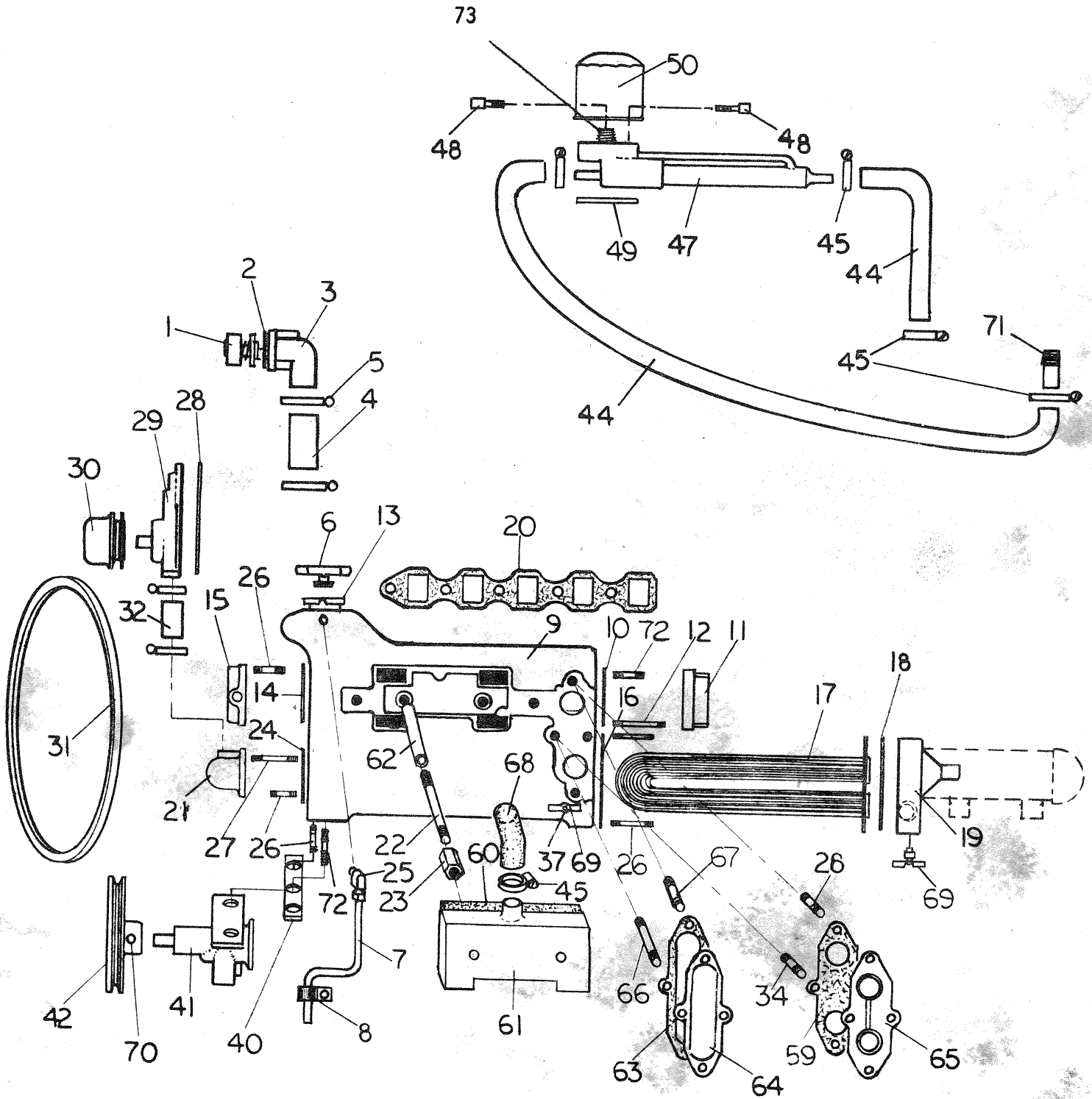
FOUR 91: COOLING SYSTEM - INTERNAL HEAT EXCHANGER - OBSOLETE



FOUR 91: COOLING SYSTEM - INTERNAL HEAT EXCHANGER - ØBSØLETE

REF	PN	NAME	REMARKS
1	11698	THERMØSTAT	
2	11860	GASKET	THERMØSTAT HØUSING
3-1	13306	HØUSING	THERMØSTAT - FØR UPPER MANIFØLD WATER INLET
3-2	15760	HØUSING	THERMØSTAT - FØR LØWER MANIFØLD WATER INLET
4-1	11402	HØSE	FØR UPPER MANIFØLD WATER INLET
4-2	15777	HØSE	FØR LØWER MANIFØLD WATER INLET
5	11405	CLAMP	FRESH WATER PIPING
6	11499	CAP	4 PSI
7	11500	TUBE	
8	13926	CLAMP	WATER VENT TUBE
9	15050	MANIFØLD	
10	12257	GASKET	EXHAUST FLANGE
11	12241	FLANGE	EXHAUST
12	12272	STUD	EXHAUST FLANGE - LØNG
13	11751	NECK	
14	12259	GASKET	MANIFØLD CØVER
15	12238	CØVER	MANIFØLD END
16	12256	GASKET	MANIFØLD TØ EXCHANGER
17	11845	EXCHANGER	
18	12260	GASKET	EXCHANGER TØ CAP
19-1	13314	CØOLER	LUBE ØIL - INTEGRAL WITH EXCHANGER END CAP
19-2	13785	END CAP	USED WITH 13369 LUBE ØIL CØOLER
19-3	12266	LINE	ØIL - 21" - USED WITH 13314 CØOLER
19-4	12264	LINE	ØIL - 12" - USED WITH 13314 CØOLER
20	11859	GASKET	
21-1	12240	ELBØW	
21-2	13866	ELBØW	WITH EXTRA TAPPING FØR SEA-STILL
22	11819	STUD	MANIFØLD
23	12306	NUT	INTAKE CØVER STANDØFF
24	11190	GASKET	ELBØW
25	13329	ELBØW	
26	11928	STUD	ELBØW & EXHAUST FLANGE - SHØRT
27	11927	STUD	ELBØW - LØNG
28	14527	GASKET	PUMP TØ CRANKCASE
29-1	14604	PUMP	ASSEMBLY - WATER
29-2	14539	KIT	WATER PUMP REPAIR
30	13862	PULLEY	FRESH WATER PUMP DRIVING
31-1	13917	BELT	FØR 13279 FRØNT RIGHT MØUNT - ØLD
31-2	13878	BELT	FØR 13864 FRØNT RIGHT MØUNT - NEW
31-3	13878	BELT	FØR 14153 FRØNT CENTER MØUNT - NEW
32	15774	HØSE	FRESH WATER PIPING - 1 1/8" ID
34	13920	STUD	
37	13339	ADAPTER	PETCØCK
40	13528	BRACKET	SEA WATER PUMP MØUNTING
41-1	11830	PUMP	SEA WATER
41-2	14768	KIT	PUMP 11830 IMPELLØR/SEAL REPLACEMENT
42	11371	PULLEY	SEA WATER PUMP DRIVING
44	11517	HØSE	SEA WATER PIPING - 5/8" ID
45	11341	CLAMP	SEA WATER PIPING
47	13369	CØOLER	LUBE ØIL

FOUR 91: COOLING SYSTEM - INTERNAL HEAT EXCHANGER - OBSOLETE



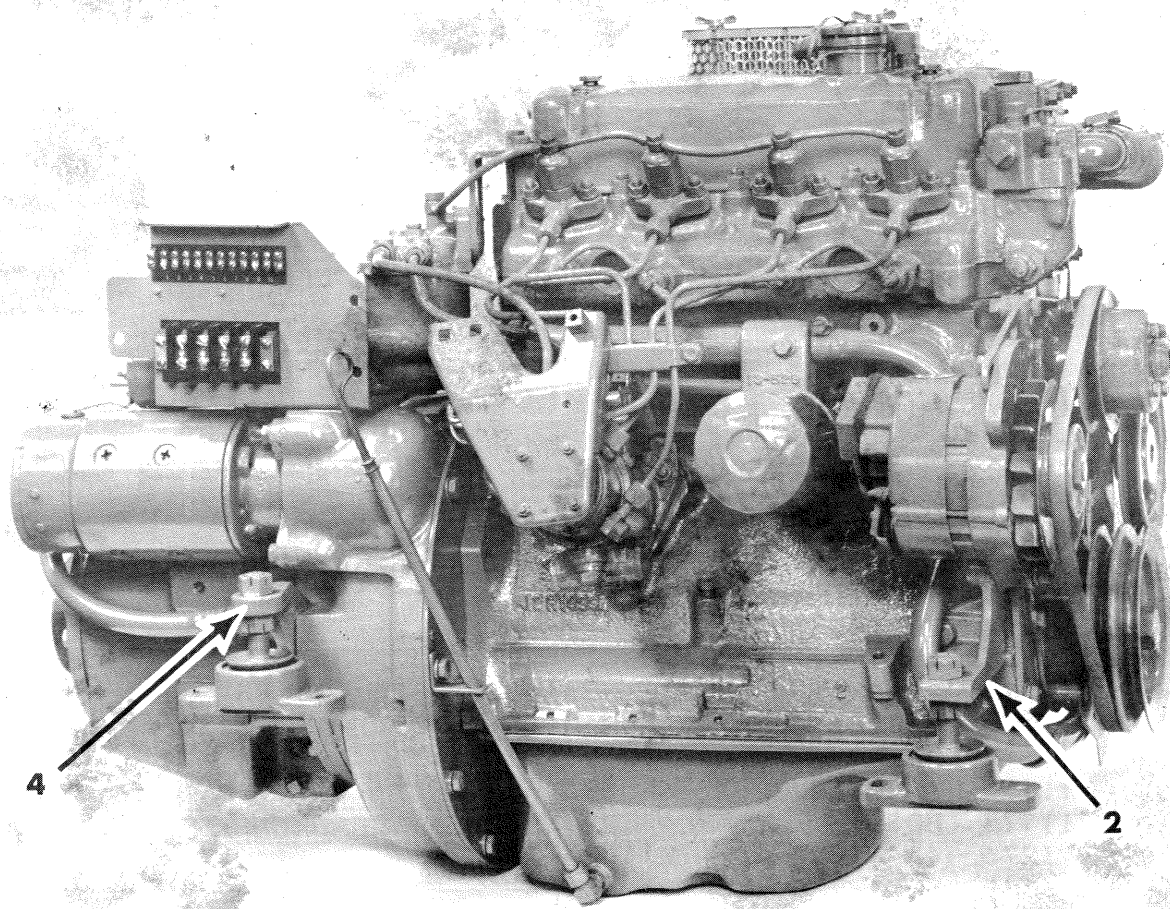
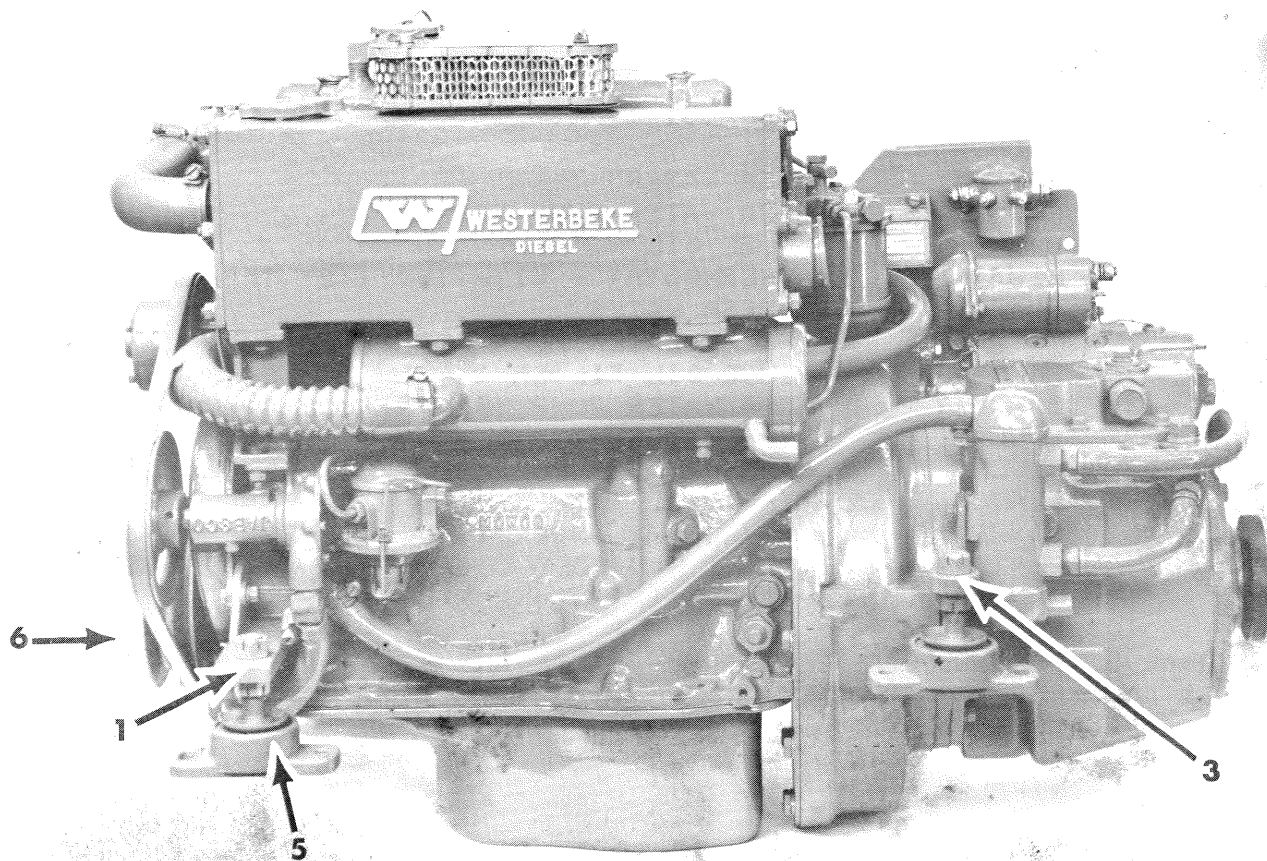
FOUR 91: COOLING SYSTEM - INTERNAL HEAT EXCHANGER - OBSOLETE

REF	PN	NAME	REMARKS
48	13890	SCREW	COOLER TO LUBE OIL BOSS
49	14567	GASKET	COOLER TO LUBE OIL BOSS
50	11951	FILTER	
59	13837	GASKET	
60	12287	ELEMENT	
61	13281	COVER	
62	12288	TUBING	MANIFOLD STUD PROTECTING
63	12258	GASKET	RETURN BEND
64	12236	RETURN BEND	
65	13312	FLANGE	FRESH WATER INTERRUPTING
66	11929	STUD	RETURN BEND - LONG
67	11930	STUD	RETURN BEND - SHORT
68	11656	HOSE	BREATHER
69	11471	PETCOCK	
70	11357	SETSCREW	SEA WATER PUMP PULLEY LOCKING
71	13519	NIPPLE	HOSE
72	11863	STUD	LONG
73-1	13610	NIPPLE	INCLUDES LOCKING SCREW
73-2	13971	SCREW	NIPPLE LOCKING

FOUR 91: COOLING SYSTEM - EXTERNAL HEAT EXCHANGER

REF	PN	NAME	REMARKS
1	15784	MANIFOLD	EXHAUST
2	15799	EXCHANGER	
3-1	11830	PUMP	SEA WATER
3-2	14768	KIT	SEA WATER PUMP REPAIR
4	13369	COOLER	LUBE OIL
5	15760	HOUSING	THERMOSTAT - WITH TWO 1/2" TAPPINGS
6-1	14604	PUMP	FRESH WATER
6-2	14539	KIT	FRESH WATER PUMP REPAIR
7	11951	ELEMENT	LUBE OIL FILTER
8	13686	BRACKET	SEA WATER PUMP TO MANIFOLD
9	11371	PULLEY	SEA WATER PUMP
10	13862	PULLEY	FRESH WATER PUMP
12	13661	FLANGE	EXHAUST
13	13662	GASKET	EXHAUST FLANGE
14	13690	PLATE	FRONT MANIFOLD COVER
15	13677	COVER	TOP - AIR INTAKE FILTER
16	16010	FILTER	AIR INTAKE
17	16005	PLATE	LOWER - AIR INTAKE FILTER
18	11503	ELBOW	
19	11652	HOSE	
20	13337	ELBOW	
21	13519	NIPPLE	HOSE
22	11517	HOSE	
23	13671	HOSE	FORMED - EXCHANGER TO PUMP
24	11517	HOSE	
25-1	13610	NIPPLE	
25-2	13971	SCREW	NIPPLE LOCKING
26	11751	NECK	FILLER
27	11499	CAP	PRESSURE
28	13329	ELBOW	
29	13680	GASKET	AIR INTAKE FILTER
30	11471	PETCOCK	
31	13663	GASKET	HEAT EXCHANGER TO MANIFOLD
32	11285	NIPPLE	
33	11263	STUD	EXHAUST FLANGE TO MANIFOLD
34	11928	STUD	FRONT PLATE & EXCHANGER TO MANIFOLD
35	11927	STUD	AIR INTAKE FILTER
36	11859	GASKET	MANIFOLD TO HEAD
37	11405	CLAMP	
38	11341	CLAMP	
39	14567	GASKET	OIL COOLER TO BLOCK
40	14501	GASKET	THERMOSTAT HOUSING
41	11494	PLUG	
42	11500	TUBING	
43	13878	BELT	
44	13427	BRACKET	TRANSMISSION OIL COOLER
45	11518	COOLER	TRANSMISSION OIL
46	11517	HOSE	
47	11777	ADAPTER	NO SWIVEL
48	11775	HOSE	
49	11776	ADAPTER	WITH SWIVEL
50	13330	ELBOW	
51	13331	ELBOW	
52	16035	WINGNUT	

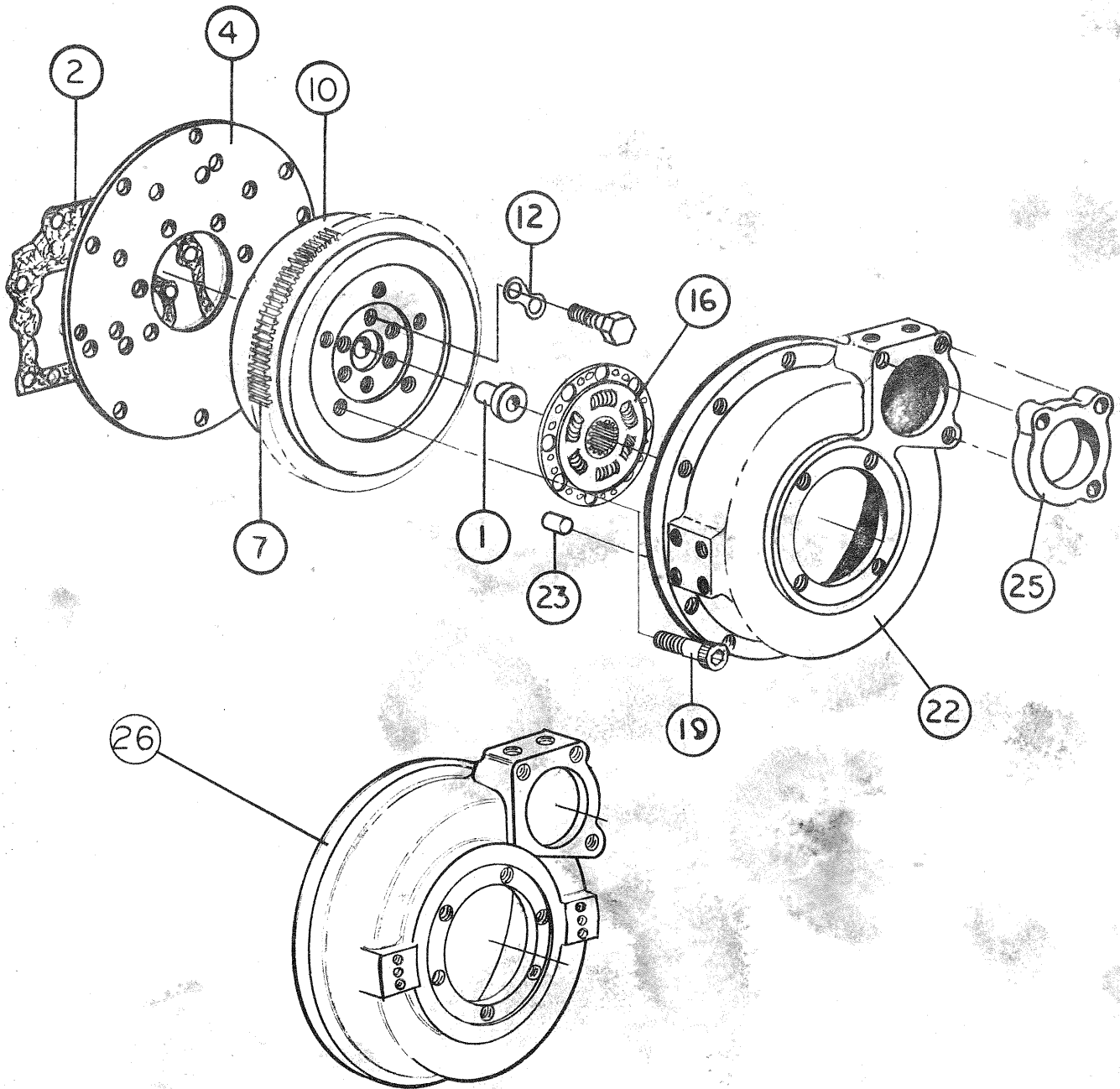
FOUR 91: MOUNTS



FOUR 91: MOUNTS

REF	PN	NAME	REMARKS
1	13278	MOUNT	STANDARD - FRONT LEFT
2	13864	MOUNT	STANDARD - FRONT RIGHT
3-1	12275	MOUNT	REAR RIGHT & LEFT - SIDE HOUSING PAD
3-2	16040	MOUNT	REAR RIGHT & LEFT - REAR HOUSING PAD
3-3	13309	MOUNT	HUGHES 38 - REAR LEFT
4	12262	MOUNT	HUGHES 38 - REAR RIGHT
5	11687	ISOLATOR	
6-1	14153	MOUNT	FRONT CENTER - CAST - OBSOLETE
6-2	13863	MOUNT	FRONT CENTER - REPLACES 14153

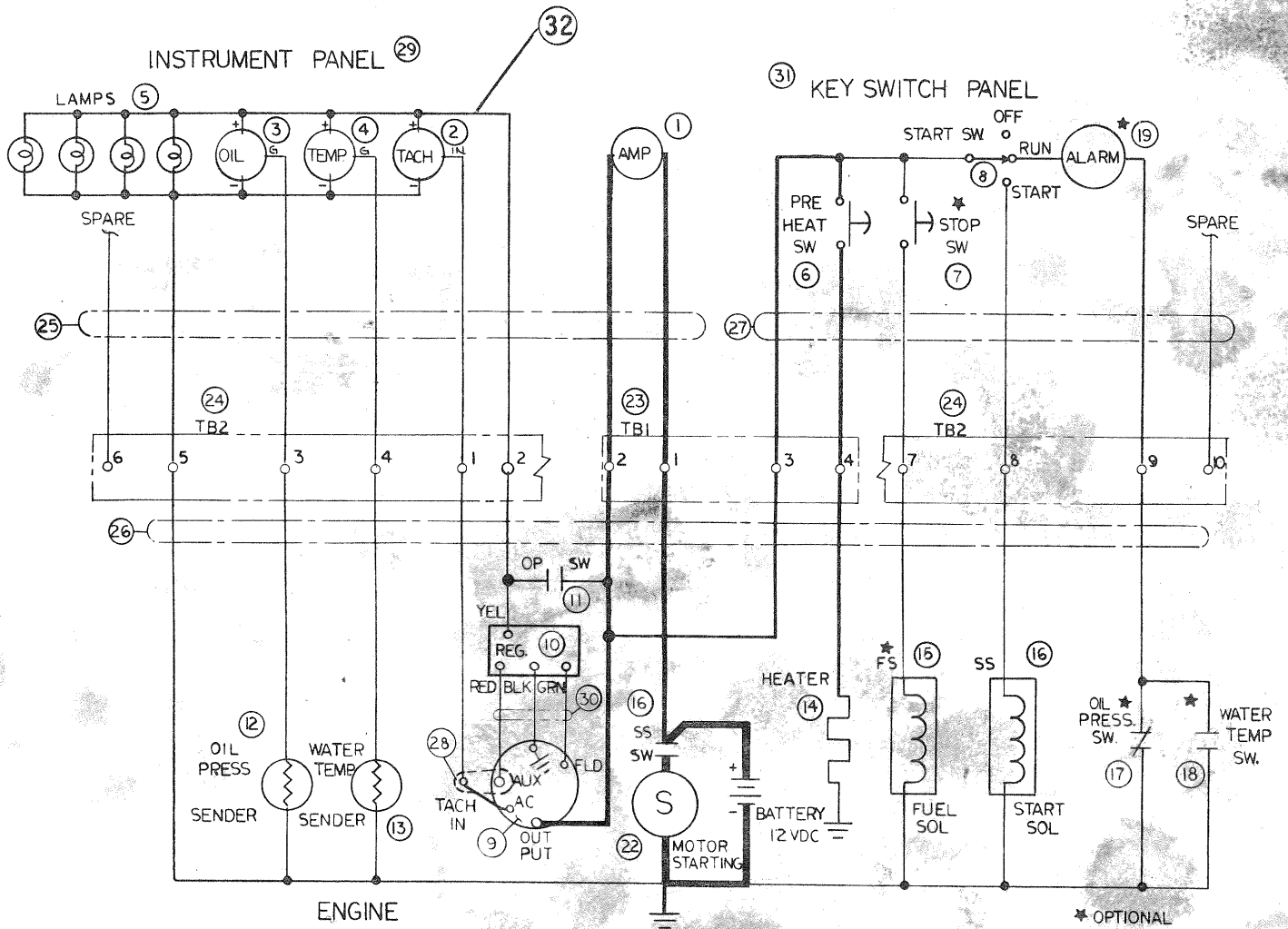
FOUR-91: BACK END ARRANGEMENTS



FOUR 91: BACK END ARRANGEMENT

REF	PN	NAME	REMARKS
1	11950	BUSHING	
2	11858	GASKET	BACK PLATE TO BLOCK
4-1	13244	BACKPLATE	14.00"ØD - SIDE PAD HSNGS
4-2	16038	BACKPLATE	14.75"ØD - REAR PAD HSNGS
7-1	11315	RING GEAR	11.10"ID - FLYWHEEL 14132
7-2	12596	RING GEAR	12.09"ID - FLYWHEEL 13383
10-1	14132	FLYWHEEL	11.50"ØD - SIDE PAD HSNGS
10-2	13383	FLYWHEEL	12.25"ØD - REAR PAD HSNGS
12	14434	TABWASHER	
16-1	11989	DAMPER	TYPE SAØ MANUAL TRANSMISSION
16-2	11619	DAMPER	FREEWHEELING SAILING TRANSMISSION
19	13555	SCREW	
22-1	15055	HØUSING	TYPE SAØ MANUAL TRANSMISSION
22-2	13924	HØUSING	FREEWHEELING SAILING TRANSMISSION
23	11955	DØWEL	
25	12249	SPACER	USED WITH 11556 STARTING MØTØR
26-1	13410	HØUSING	TYPE SAØ MANUAL TRANSMISSION
26-2	16036	HØUSING	HYDRAULIC TRANSMISSION
26-3	13422	HØUSING	FREEWHEELING SAILING TRANSMISSION

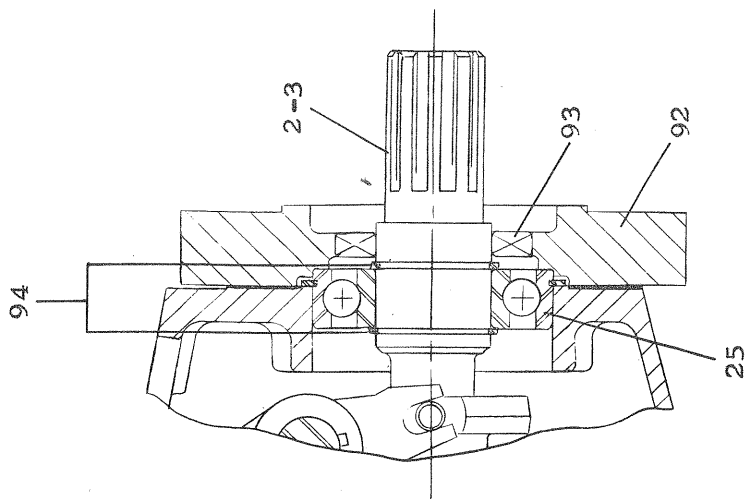
MARINE ENGINE ELECTRICAL SYSTEM



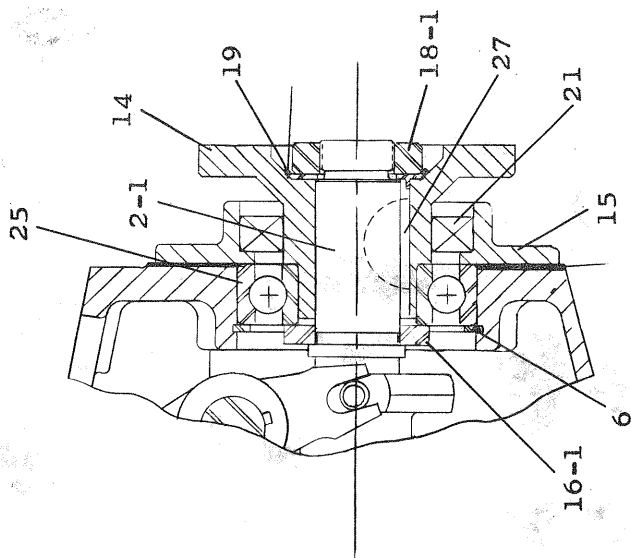
FØUR 91: ELECTRICAL SYSTEM (MARINE ENGINE)

REF	PN	NAME	REMARKS
1-1	11931	AMMETER	VDØ - 2-3/8"
1-2	11970	AMMETER	11693 SKIPPER PANEL
2-1	11917	TACHØMETER	ELECTRØNIC - WITH HØURMETER
2-2	12883	TACHØMETER	MECHANICAL - 11693 SKIPPER PANEL
2-3	12945	Ø-RING	11917 ELECTRØNIC TACHØMETER
3-1	11914	GUAGE	OIL PRES - VDØ - 2-3/8"
3-2	13868	GUAGE	OIL PRES - 11693 SKIPPER PANEL
3-3	16023	RING	2-1/16" GUAGE TØ 2-7/16" PANEL CUTØUT
3-4	16454	Ø-RING	ALL 2-3/8" VDØ GUAGES
4-1	11913	GUAGE	WATER TEMP - VDØ - 2-3/8"
4-2	13682	GUAGE	WATER TEMP - 11693 SKIPPER PANEL
5-1	11432	LAMP	12 VDC
5-2	12961	SØCKET	LAMP - VDØ GUAGES
5-3	11692	SØCKET	LAMP - 11693 SKIPPER PANEL
7	11957	SWITCH	STØP
8	11956	SWITCH	KEY
9-1	11546	ALTERNATØR	55 AMP - 12 VØLT - NEG GND
9-2	11534	ALTERNATØR	55 AMP - 12 VØLT - UNGRØUNDED
10	11550	REGULATØR	FØR 11546 AND 11534 ALTERNATØR
11	11383	SWITCH	OIL PRESSURE - NØRMLLY ØPEN
12-1	11916	SENDER	OIL PRES - 11914 GUAGE
12-2	11542	SENDER	OIL PRES - 11693 SKIPPER PANEL
13-1	11915	SENDER	WATER TEMP - 11913 GUAGE - 1/2" NPT
13-2	13669	SENDER	WATER TEMP - 11913 GUAGE - 5/8"-18 TPI
13-3	11543	SENDER	WATER TEMP - 11693 SKIPPER PANEL
14-1	14529	GLØWPLUG	
14-2	14494	WIRE	GLØWPLUG CØNNECTING
15	13879	SØLENØID	FUEL
16	11489	SØLENØID	START
17-1	11552	SWITCH	OIL PRESSURE - NØRMLLY CØSED
17-2	11492	NIPPLE	OIL PRESSURE ALARM SWITCH
17-3	13350	TEE	OIL PRESSURE ALARM SWITCH
18	11396	SWITCH	WATER TEMPERATURE - NØRMLLY ØPEN
19	13355	ALARM	
22	11556	MØTØR	STARTER
23-1	13320	BLØCK	TERMINAL
23-2	13855	PLATE	13320 TERMINAL BLØCK SECURING
24-1	13319	BLØCK	TERMINAL
24-2	13856	PLATE	13319 TERMINAL BLØCK SECURING
25	13371	CABLE	ELECTRIC INSTRUMENT PANEL TØ ENGINE
26	13861	HARNESS	MARINE ENGINE
27	13324	CABLE	KEYSWITCH PANEL TØ PRE-WIRED ENGINE
28	12959	KIT	ALTERNATØR MØD TØ ACCEPT ELECTRØNIC TACH
29-1	16048	PANEL	ALL ELECTRIC MARINE
29-2	16049	PANEL	ALL ELECTRIC MARINE - PRE WIRED
29-3	11693	PANEL	SKIPPER - MECHANICAL TACHØMETER
29-4	16456	TACH CABLE	4' - FØR 3/4"-27 TPI TACH DRIVE THREAD
29-5	16457	TACH CABLE	6' - FØR 3/4"-27 TPI TACH DRIVE THREAD
29-6	16458	TACH CABLE	8' - FØR 3/4"-27 TPI TACH DRIVE THREAD
29-7	16459	TACH CABLE	10' - FØR 3/4"-27 TPI TACH DRIVE THREAD
30	11549	HARNESS	FØR 11550 REGULATØR
31	13515	NAMEPLATE	KEYSWITCH PANEL
32	13777	HARNESS	FØR 13353 PRE-WIRED ELECTRIC PANEL

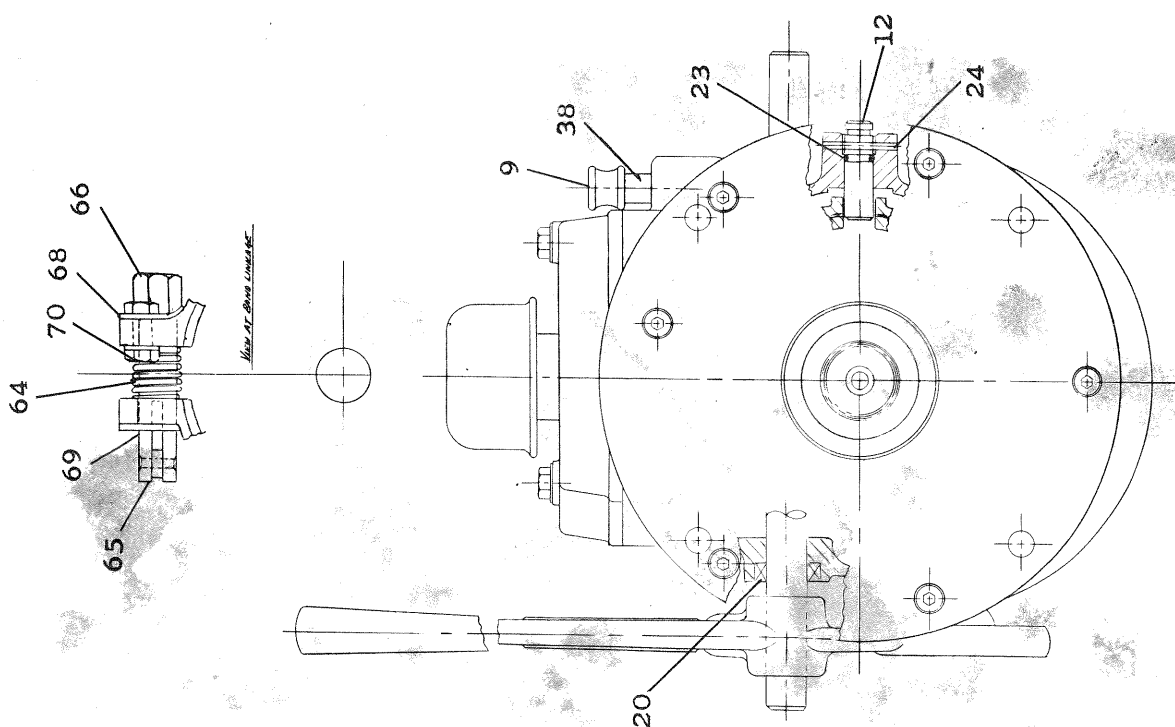
TYPE SAO TRANSMISSION



DIRECT DRIVE FOR WALTER'S "V" DRIVE

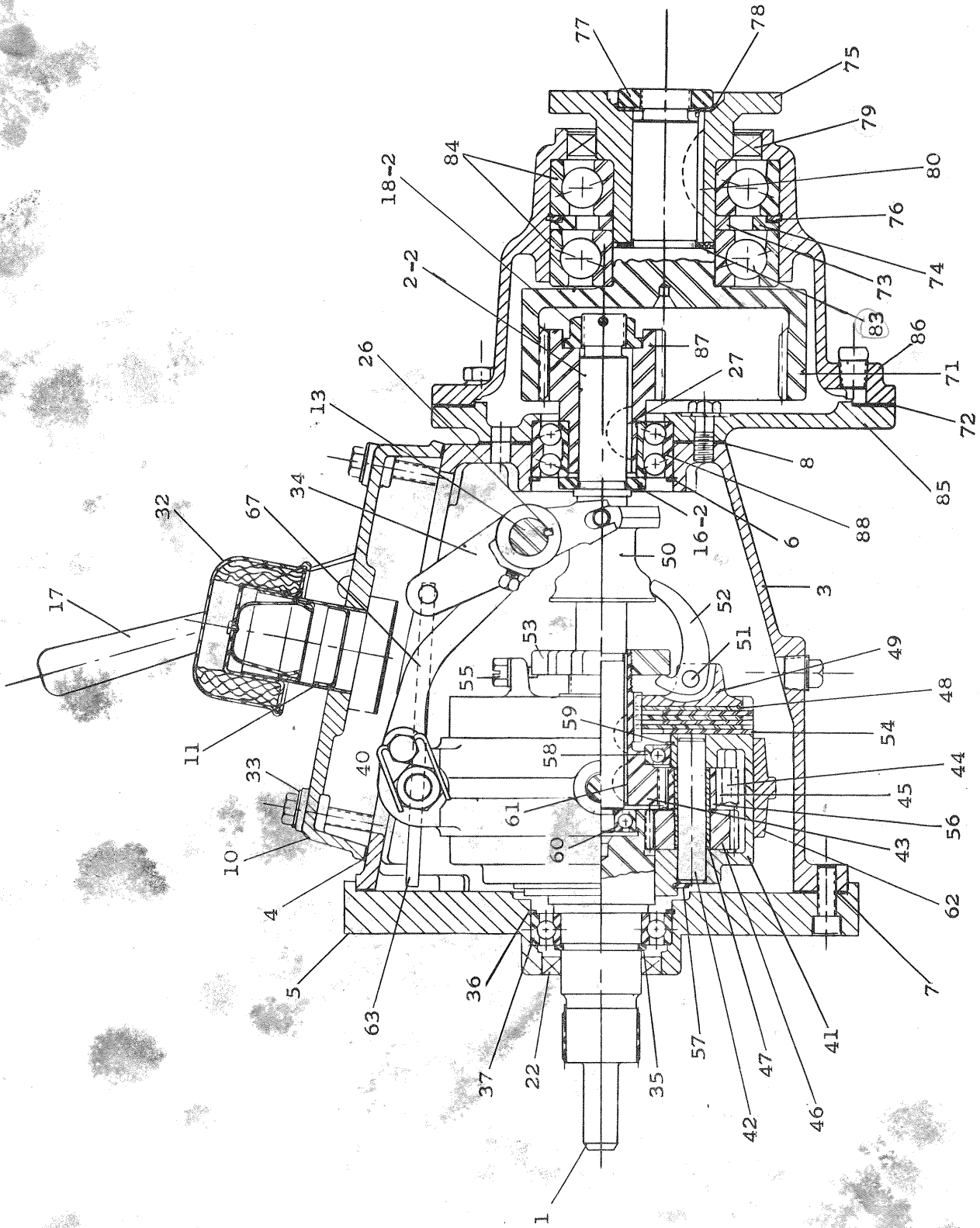


DIRECT DRIVE SAOD



DRAWING NO. 13915

TYPE SAO TRANSMISSION



DRAWING NO. 13914

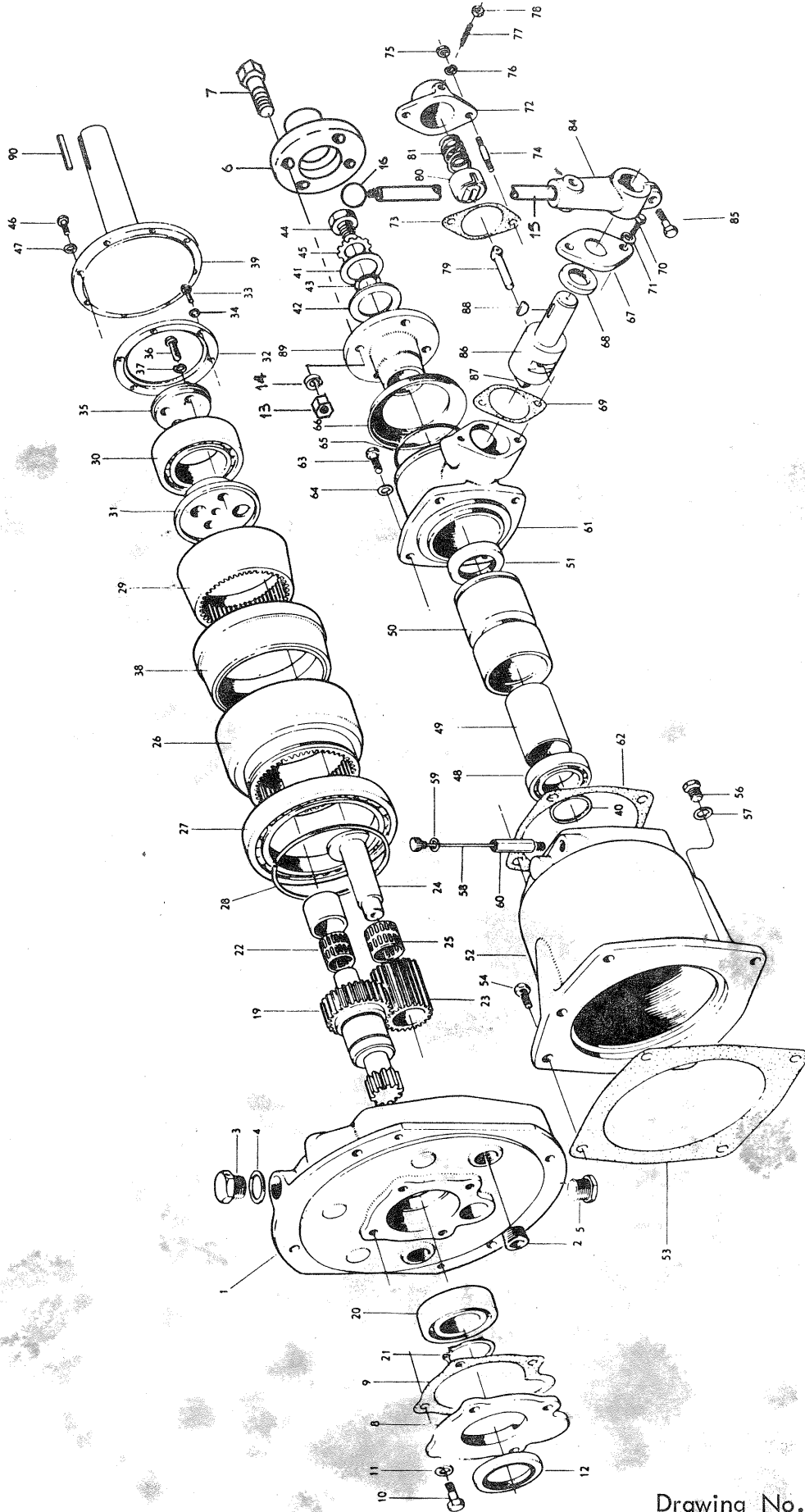
TYPE SA0 MANUAL TRANSMISSION

REF	PN	NAME	REMARKS
1	14894	GEAR	ENGINE
2-1	14857	TAILSHAFT	REVERSE GEAR
2-2	14858	TAILSHAFT	REVERSE GEAR
2-3	14899	TAILSHAFT	
3	14891	HOUSING	REVERSE GEAR
4	14868	GASKET	HAND HOLE COVER
5	14892	PLATE	FRONT END
6	14373	RING	RETAINING - REVERSE GEAR HOUSING
7	14893	GASKET	REVERSE GEAR HOUSING - FRONT
8	14876	GASKET	REAR - REVERSE GEAR HOUSING
9	14895	DIPSTICK	ASSEMBLY
10	14867	COVER	HAND HOLE
11	14883	TUBE	FILLER
12	14879	PIN	BRAKE BAND LOCK
13	14861	CROSSSHAFT	
14	14863	COUPLING	GEAR HALF
15	14864	RETAINER	OIL SEAL
16-1	14865	THRUSTWASHER	REVERSE GEAR TAILSHAFT
16-2	14866	THRUSTWASHER	REVERSE GEAR TAILSHAFT
17	14852	LEVER	
18-1	14377	NUT	REVERSE GEAR TAILSHAFT
18-2	14323	NUT	REVERSE GEAR TAILSHAFT
19	14875	LOCKWASHER	REVERSE GEAR TAILSHAFT
20	14884	SEAL	OIL CROSS SHAFT
21	14885	RETAINER	OIL SEAL
22	14896	SEAL	FRONT PLATE
23	14886	O-RING	
24	14887	PIN	ROLL
25	14882	BEARING	BALL - REVERSE GEAR HOUSING - REAR
26	14316	KEY	WOODRUFF - CROSS SHAFT
27	14848	KEY	WOODRUFF - REVERSE GEAR - TAILSHAFT
32	14880	BREATHER	
33	14888	SEAL	COVER
34	14862	YOKE	ASSEMBLY
35	14903	RING	RETAINING - ENGINE GEAR
36	14898	RING	RETAINER - FRONT PLATE
37	14898	BEARING	BALL - ENGINE GEAR
38	14889	TUBE	DIPSTICK
40	14890	BAFFLE	COVER
41	14834	CASE	GEAR
42	14842	SHAFT	PINION
43	14836	GEAR	PROPELLER
44	14837	PINION	ASSEMBLY - LONG
45	14840	BUSHING	PINION
46	14838	PINION	ASSEMBLY - SHORT
47	14841	BUSHING	PINION
48	14845	PLATE	STEEL - CLUTCH
49	14846	PLATE	PRESSURE
50	14847	SLEEVE	OPERATING
51	14849	PIN	FINGER

TYPE SA0 MANUAL TRANSMISSION

REF	PN	NAME	REMARKS
52	14851	FINGER	
53	14854	SCREW	COLLAR
54	14855	PLATE	BRONZE - CLUTCH
55	14859	LØCKSCREW	PRESSURE PLATE
56	14871	SPACER	SHORT PINION
57	14874	RING	RETAINING - PINION SHAFT GEAR CASE
58	14877	BEARING	BALL - GEAR CASE
59	14373	RING	RETAINING - GEAR CASE BALL BEARING
60	14881	BEARING	BALL - PILOT
61	14844	KEY	WØDRUFF - REVERSE GEAR - TAILSHAFT
62	14850	BAND	BRAKE
63	14860	SLIDE	REVERSE CAM
64	14870	SPRING	
65	14853	CAM	REVERSE
66	14856	NUT	
67	14869	BRACE	
68	14872	LØCKSPRING	
69	14878	PIN	
70	14873	NUT	
71	14299	GEAR	INTERNAL
72	14321	GASKET	
73	14333	SPACER	
74	14337	SPACER	
75	14357	CØUPLING	
76	14375	SNAPRING	
77	14378	NUT	
78	14379	LØCKWASHER	
79	14390	SEAL	ØIL
80	14352	KEY	
83	14334	SEAL	WASHER
84	14396	BEARING	BALL
85	14835	PLATE	REDUCTION ADAPTER
86	14309	HØUSING	REDUCTION GEAR
87	14839	GEAR	REDUCTION DRIVING
88	14843	BEARING	BALL - REDUCTION ADAPTER PLATE 1
92	14900	PLATE	ADAPTER
93	14901	SEAL	ØIL
94	14902	RINGS	RETAINING - TAILSHAFT
95-1	12293	TRANSMISSION	COMPLETE - DIRECT DRIVE
95-2	12294	TRANSMISSION	COMPLETE - 2:1
95-3	13976	TRANSMISSION	COMPLETE - READY TO ACCEPT V-DRIVE

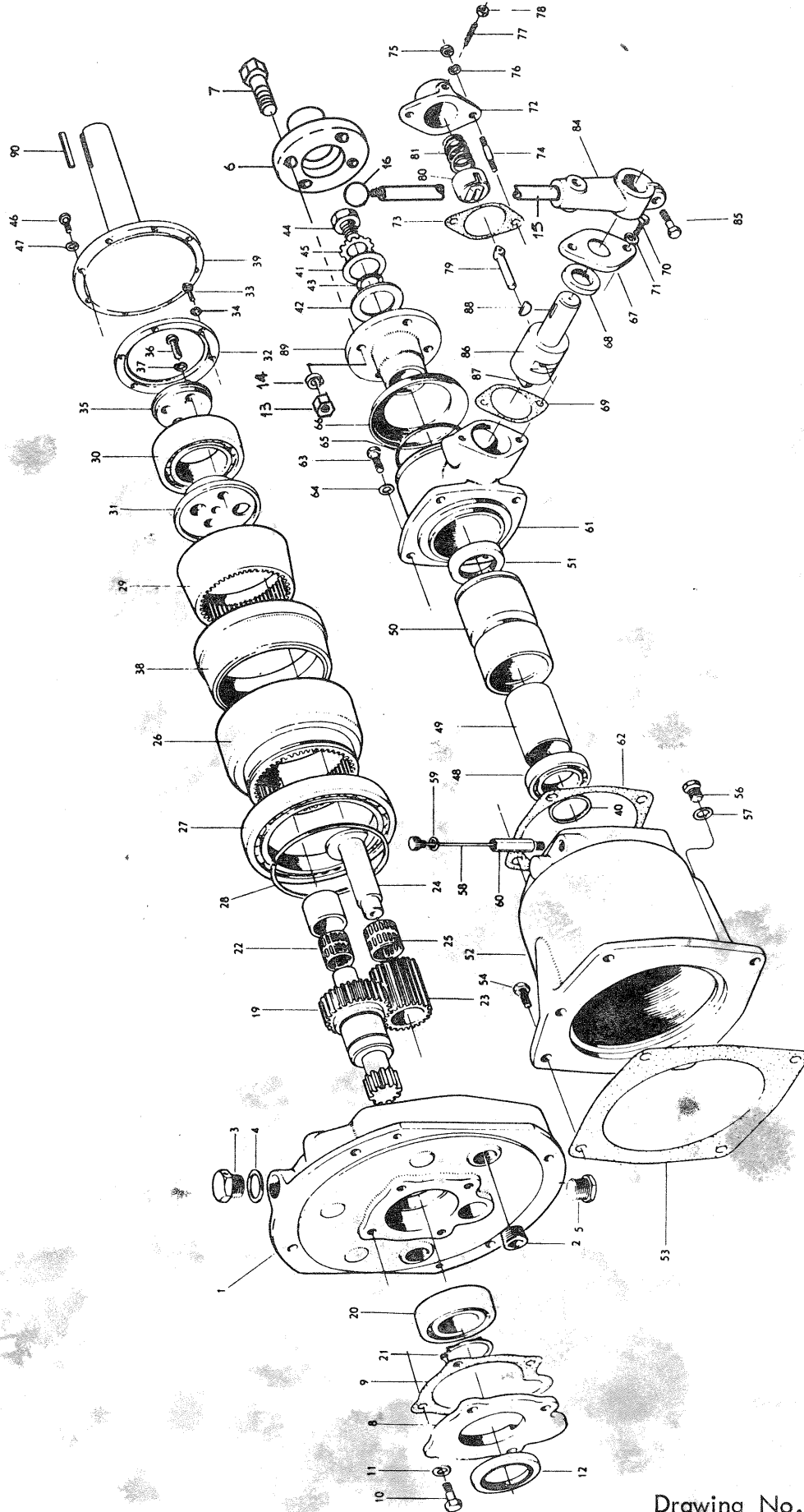
FREE WHEELING SAILING GEAR - Manual - 1.9:1



FREE WHEELING SAILING GEAR - MANUAL - 1.9:1

REF	PN	NAME	REMARKS
1	14212	ADAPTER	
2	14211	PLUG	
3	14172	PLUG	
4	14205	GASKET	
5	14170	PLUG	
6-1	11645	COUPLING	BØRED 1"
6-2	13974	COUPLING	ØTHER THAN 1" BØRE - SPECIFY
7	14228	BØLT	
8	14177	CØVER	
9	14178	GASKET	
10	14224	BØLT	
12	14202	SEAL	
13	14232	NUT	
15	11643	LEVER	
16	11644	KNØB	
17	11642	GEAR	COMPLETE
19	14209	GEAR	
20	14165	BEARING	
21	14216	LØCK	
22	14204	BEARING	
26	14206	GEAR	
27	14168	BEARING	
28	14217	LØCK	
29	14181	GEAR	
30	14166	BEARING	
31	14179	SUPPØRT	
32	14199	LØCK	
33	14221	BØLT	
35	14180	WASHER	
36	14229	BØLT	
38	14193	CØNE	
39	14183	SHAFT	
40	14163	SHIM	
41	14208	WASHER	
42	14169	WASHER	
43	14167	Ø RING	
44	14207	BØLT	
45	14160	WASHER	
46	14223	BØLT	
48	14162	BEARING	
49	14184	SPACER	
50	14182	SLEEVE	
51	14201	SEAL	
52	14175	HØUSING	
53	14173	GASKET	
54	14226	BØLT	
55	14240	WASHER	
56	14159	PLUG	
57	14157	WASHER	
58	14203	DIPSTICK	

FREE WHEELING SAILING GEAR - Manual - 1.9:1



FREE WHEELING SAILING GEAR - MANUAL - 1.9:1

REF	PN	NAME	REMARKS
59	14158	GASKET	
60	14194	NIPPLE	
61	14176	HØUSING	
62	14174	GASKET	
63	14226	BØLT	
65	14220	Ø RING	
66	14195	CØVER	
67	14196	FLANGE	
68	14200	SEAL	
69	14197	GASKET	
70	14222	BØLT	
72	14190	HØUSING	
73	14197	GASKET	
74	14219	BØLT	
75	14230	NUT	
77	14218	BØLT	
78	14230	NUT	
79	14188	PIN	
80	14189	SLEEVE	
81	14191	SPRING	
84	14171	ARM	
85	14224	BØLT	
86	14186	SHAFT	
87	14187	PIN	
88	14215	KEY	
89	14185	CØUPLING	
90	14214	KEY	

FØUR 91: MISCELLANEØUS ITEMS (ARRANGED ALPHABETICALLY)

REF	PN	NAME	REMARKS
10	13310	BRACKET	ALTERNATØR - USING FRØNT CENTER MØUNT
20	13841	BRACKET	FUEL SØLENØID MØUNTING
30	13852	BRACKET	START SØLENØID/REGULATØR MØUNTING
40	13884	CØUPLING	FUEL SØLENØID TØ INJECTION PUMP - ASSEMBLY
50	13932	KIT	SPARE PARTS - 'A' - MARINE ENGINE
60	13933	KIT	SPARE PARTS - 'B' - MARINE ENGINE
70	13959	KIT	GASKET - CØMLETE
80	13960	KIT	HARDWARE - FØR INDIVIDUAL ENGINE
90	13860	LINE	ØIL - CØOLER TØ ØIL MANIFØLD
100	11969	MANIFØLD	LUBE ØIL - SWITCH & SENDER MØUNTING
110	13758	PAINT	RED - AERØSØL CAN
120	11547	PLATE	ALTERNATØR FAN
130	11548	PULLEY	ALTERNATØR DRIVING
140	11592	PUMP	LUBE ØIL SUMP
150	13879	SØLENØID	FUEL - RØTARY
160	13939	SPRING	FUEL SØLENØID RETURN
170	11125	STRAP	ALTERNATØR ADJUSTING
180	13826	TUBING	SUMP PUMP TØ DIPSTICK TUBE